

MIK-21 Adapter Shelf



Installation Manual

Copyright

Copyright © 2008, McDowell Research, an Ultralife Company.

All Rights Reserved.

Revision History

Version	Description of Change	Effective Date
REV: A	Previous revision	–
REV: B	This manual has been updated to reflect the new template design.	MAY 01 2008

Disclaimer of Liability

Information and descriptions contained in this manual are the property of McDowell Research, an Ultralife Company. Distribution and/or reproduction in part or in whole are expressly forbidden without written consent.

McDowell Research believes that information in this publication is accurate as of its publication date. McDowell Research reserves the right to change the contents without prior notice and is not responsible for any inadvertent errors.

McDowell Research, an Ultralife Company
2000 Technology Parkway
Dock “X”
Newark, New York 14513
Phone: (315) 332-7100
Fax: (315) 331-7800
Email: info@mcdowellresearch.com
www.mcdowellresearch.com

CONTENTS

1	ABOUT THIS MANUAL	1
1.1	SYMBOLS USED	1
1.2	GENERAL SAFETY INSTRUCTIONS.....	2
2	INSTALLATION	3
2.1	SHELF INSTALLATION	3
3	MAINTENANCE.....	5
3.1	CLEANING	5
3.1.1	Dirt and Dust	5
3.1.2	Oils and Grease	5
3.2	CORRECTIVE MAINTENANCE	5
4	CUSTOMER ASSISTANCE.....	6
4.1	WARRANTY INFORMATION.....	6
4.2	CONTACT/RETURN INFORMATION.....	6

1 ABOUT THIS MANUAL

Please read the following sections before proceeding.

1.1 Symbols Used

The symbols shown in this section appear throughout this manual, the first one shown being the *NOTE* symbol, below, which is self-explanatory.



NOTE: *Note statements contain important information that may affect how you use this product.*

The other symbols represent *important safety advice*, and they appear throughout this manual in the form of *WARNINGS* and *CAUTIONS* against possible hazards to people or equipment, respectively. These safety *WARNINGS* and *CAUTIONS* must be followed at all times. They are flagged by use of a triangular alert icon shown just to the left of the cautionary advice given, as shown below:



WARNING: *Warning statements mean danger. They identify practices, procedures or conditions such as high voltage that could result in injury or loss of life and which, therefore, require extreme care before proceeding.*



CAUTION: *Caution statements denote a hazard. They identify practices, procedures or conditions that could result in damage to or destruction of this product or other equipment or property.*

McDowell Research assumes no liability for the customer's failure to comply with these *WARNINGS* and *CAUTIONS*.

1.2 General Safety Instructions



WARNING: *This manual contains important safety and operating instructions for the MIK-21. Before using the MIK-21, read all instructions in this manual and cautionary markings, if any, on the device. Specifically:*

- *Do not operate the MIK-21 if it has received a sharp blow, been dropped, or otherwise damaged in anyway; take it to a qualified repair technician for servicing.*
- *Do not disassemble the MIK-21; take it to a qualified repair technician when service or repair is required. Incorrect reassembly may result in a risk of electric shock or fire.*
- *To reduce risk of electric shock, unplug the MIK-21 from its power source before attempting any maintenance or cleaning. Turning off controls will not eliminate this risk.*
- *If there are any questions regarding maintenance or safety-of-use issues pertaining to the MIK-21, please contact our service department at:*

Service Department
McDowell Research, an Ultralife Company
(PHONE) (315) 332-7100 (FAX) (315) 331-7800
(Email) service@mcdowellresearch.com

2 INSTALLATION

Please pay close attention to the following installation instructions.

2.1 Shelf Installation

Tools and equipment required for MIK-21 installation are listed in the following table and depicted in Figure 1.

Version	Part Number	Quantity	Reference
MIK-21-75 Main Assembly	MIK21-75-00-01	1	1
Top-Bottom Support Plate Assembly	MIK21-75-18-09	1	2
Shock Mount Tray	--	1	3
1/4 Flat Washer	3010-02-0007	16	4
1/4 – 20 x 3/4" Hexagonal Bolt	3000-09-0003	8	5
Split Locking Washer	3010-04-0004	8	6
1/4 – 20 x 3/4" Hexagonal Nut	3000-06-0007	8	7

Follow the two-step installation procedure listed on the following page.

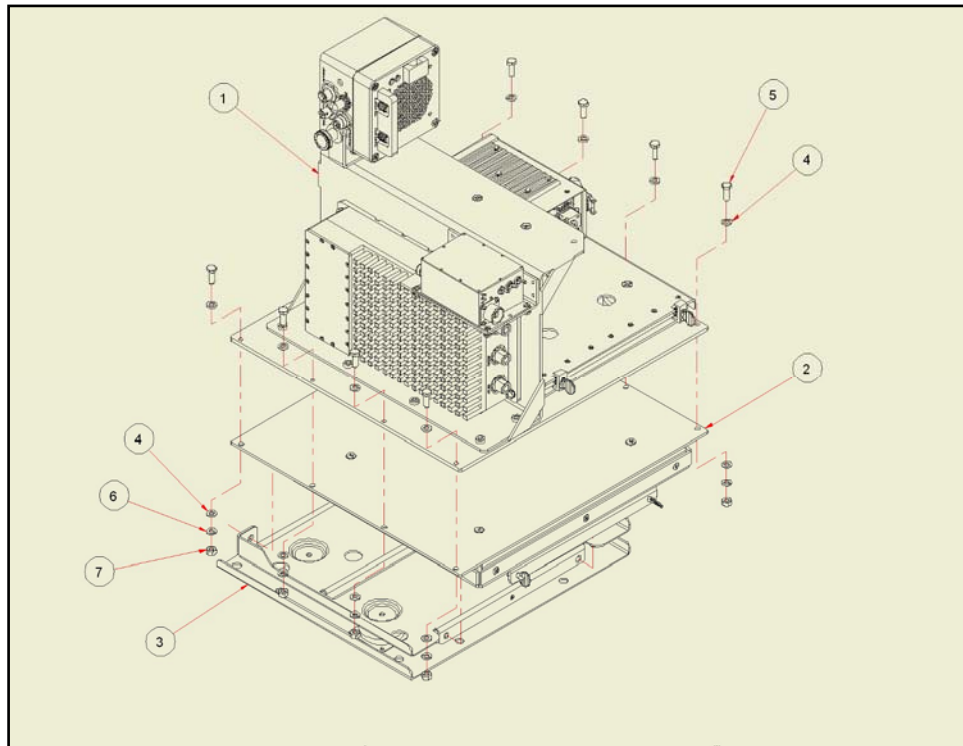


Figure 1 MIK-21 Shelf Installation

1. Align the MIK-21-75 main assembly with the support plate assembly and the shock mount tray.
2. Place a 1/4 – 20 x 3/4” hexagonal bolt into a 1/4” flat washer and through the mounting aperture, and place a 1/4 flat washer, a split locking washer, and a 1/4 - 20 hexagonal nut onto the screw. Tighten using an open ended wrench and a nut driver. Repeat this process for the remaining apertures.

3 MAINTENANCE

Maintenance for the MIK-21 is described in the following sections.

3.1 Cleaning

Cleaning of the MIK-21 is described in the following sections.

3.1.1 Dirt and Dust

All external components to the MIK-21 can be cleaned with a water dampened non-abrasive cloth and allowed to air dry or wipe dry with a clean dry non-abrasive cloth.

3.1.2 Oils and Grease

All external components of the MIK-21 can be cleaned with a mild soap/water solution dampened non-abrasive cloth. Rinse with water dampened non-abrasive cloth and allowed to air dry or wipe dry with a clean dry non-abrasive cloth.

3.2 Corrective Maintenance

The MIK-21 has NO user serviceable parts. Units requiring corrective maintenance should be sent to McDowell Research for repair. Contact information is provided in the next chapter.

4 CUSTOMER ASSISTANCE

4.1 Warranty Information

Warranty Statement

4 years for equipment shipped after May 1, 2004.

McDowell Research warrants to its customers that the products it manufactures and sells will be free from defects in materials and workmanship for a period of four (4) years for equipment shipped after May 1, 2004.

This warranty shall not apply to any defect, failure or damage caused by improper use or inadequate maintenance and care. McDowell shall not be obligated to provide service under this warranty to repair, service, or modify these products.

In order to obtain service under this warranty, customers must return a failed unit to McDowell with a description of the failure, contact information (in case questions arise and to speed up processing of guarantee claims) and finally a return shipping address. McDowell will return any failed unit at McDowell's cost.



NOTE: *This warranty does not apply to batteries supplied by McDowell Research. All batteries supplied by McDowell Research are warranted for 90 days from date of shipment.*

4.2 Contact/Return Information

Please call (315) 332-7100 to obtain an RMA number prior to returning any failed unit(s) to:

McDowell Research, an Ultralife Company
2000 Technology Parkway
Dock "X"
Newark, New York 14513
Phone: (315) 332-7100
Fax: (315) 331-7800

Online RMA requests can be located and submitted at:
http://www.mcdowellresearch.com/rma_form.php or
service@mcdowellresearch.com